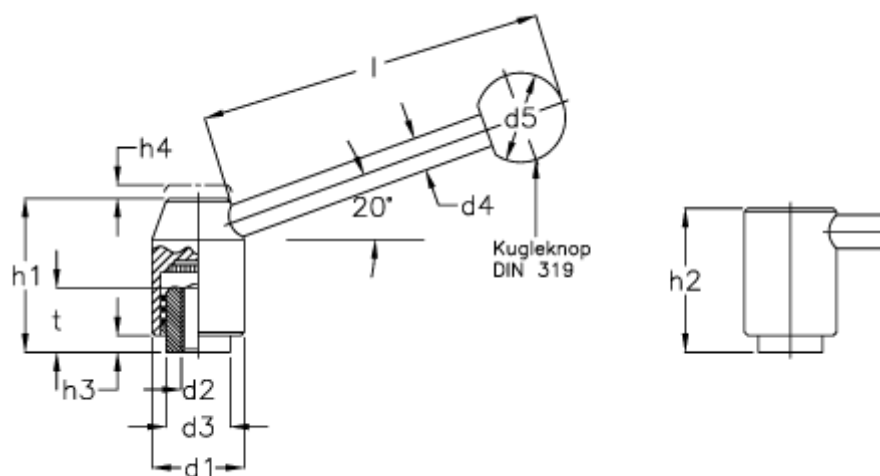


Article number: 20491423

Description: E+G Adjustable tension lever
GN212.3-24-M 10-E

Measures



d1 = 24	h1 = 40.0
d2 = 3/8 x 16	h2 = 37.0
d2 = 5/16 x 18	h3 = 2.5
d2 = M 10	h4 = 4.5
d2 = M 8	l = 96
d3 = 16.0	t min = 14
d4 = 10	
d5 = 25	